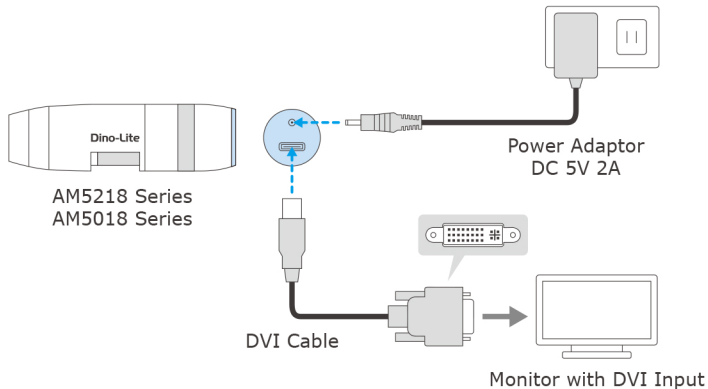


Quick Start Guide

Dino-Lite Edge AM5218 Series / Dino-Lite Premier AM5018 Series

Dino-Lite
Digital Microscope

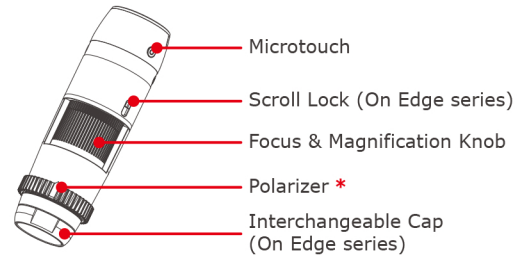
System Configuration



Note:

- The higher temperature of the top metal part is normal. Please avoid touching it when in use.
- It is recommended to use Dino-Lite in a well-ventilated workspace.
- Be sure to use supplied power adaptor connecting to Dino-Lite for preventing any damage to the device.

How to Use



* For model equipped with polarizer

- To obtain focus, adjust the magnification knob on Dino-Lite or change the working distance.
- To fix the knob position, slide down the Scroll Lock to the lock position.
- To freeze frame, press and hold the Microtouch for 1 second. To unfreeze, tap the Microtouch again.
- To turn on/off LED, press and hold the Microtouch for 3 seconds till the LED flash twice.